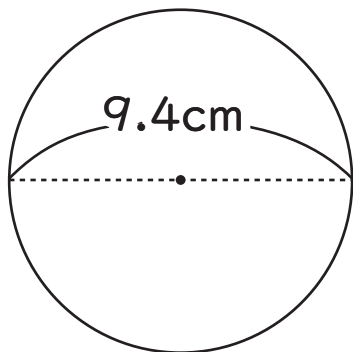


● 次の円の円周の長さを求めましょう。

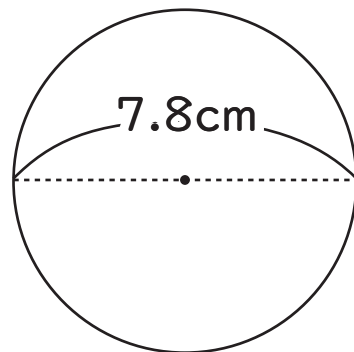
1



$$9.4 \times 3.14 = 29.516$$

$$(29.516\text{cm})$$

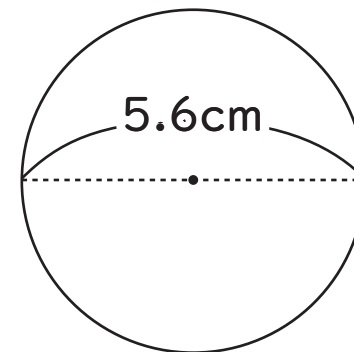
2



$$7.8 \times 3.14 = 24.492$$

$$(24.492\text{cm})$$

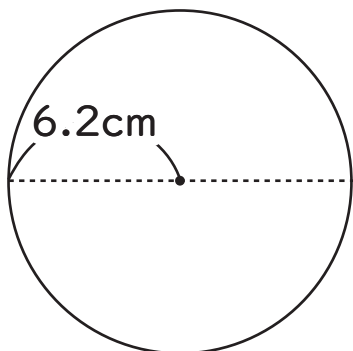
3



$$5.6 \times 3.14 = 17.584$$

$$(17.584\text{cm})$$

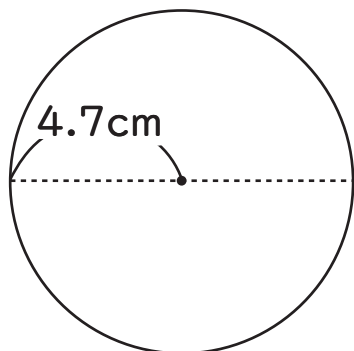
4



$$6.2 \times 2 \times 3.14 = 38.936$$

$$(38.936\text{cm})$$

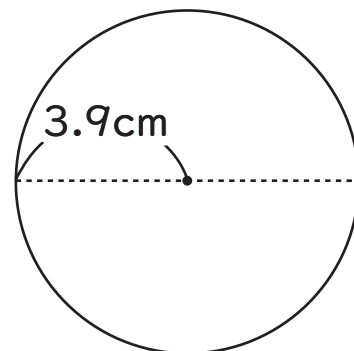
5



$$4.7 \times 2 \times 3.14 = 29.516$$

$$(29.516\text{cm})$$

6



$$3.9 \times 2 \times 3.14 = 24.492$$

$$(24.492\text{cm})$$