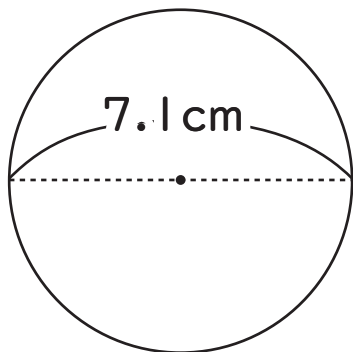


● 次の円の円周の長さを求めましょう。

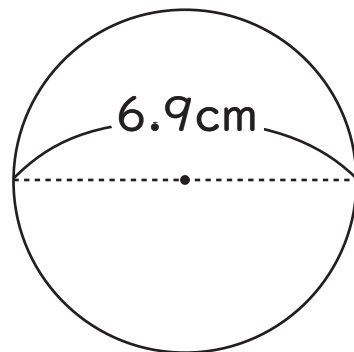
1



$$7.1 \times 3.14 = 22.294$$

(22.294cm)

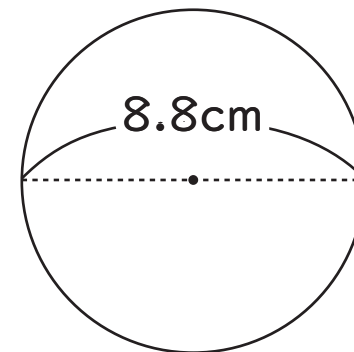
2



$$6.9 \times 3.14 = 21.666$$

(21.666cm)

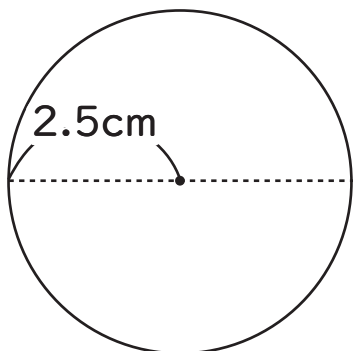
3



$$8.8 \times 3.14 = 27.632$$

(27.632cm)

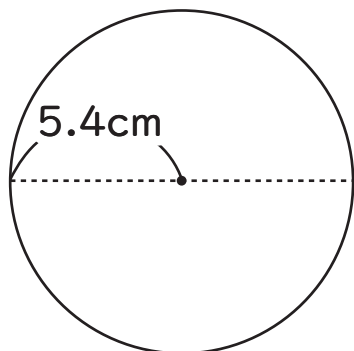
4



$$2.5 \times 2 \times 3.14 = 15.7$$

(15.7cm)

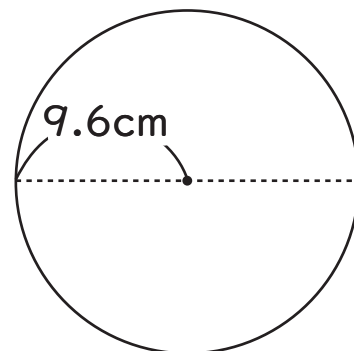
5



$$5.4 \times 2 \times 3.14 = 33.912$$

(33.912cm)

6



$$9.6 \times 2 \times 3.14 = 60.288$$

(60.288cm)